

REGENT DINBLOC VORTEX CLOSE COUPLED PUMPS

Design Features

SOLIDS HANDLING CAPABILITIES

STANDARDISED DESIGN

The Dinbloc End Suction pumps are close coupled versions of the widely recognised Regent Dinflow range which is designed and manufactured to the International Standard DIN 24255.

OPERATING TEMPERATURES

With standard mechanical seal - minus 20°C to 100°C. Mechanical seals are available for applications outside these limits.

OPERATING PRESSURES

Maximum operating pressure 1000 kPa. Basic test pressure 2100 kPa.

BACK PULL-OUT FACILITY

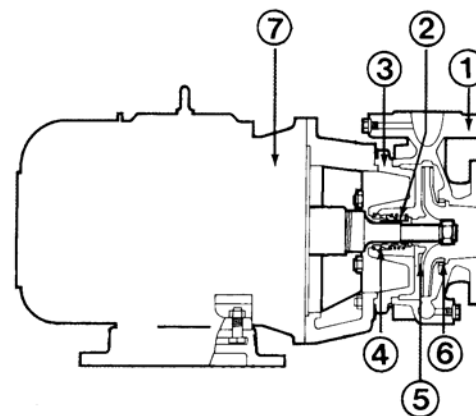
All Dinbloc pumps incorporate the "Back Pull-out" facility allowing the removal of the complete rotating element without disturbing the pipework. This feature enables quick and simple maintenance to take place.

MOTOR OPTIONS

A motor to suit your particular specifications can be fitted where special protection classes and enclosures are required, or to suit a certain power supply (i.e. weatherproof, flameproof, 60Hz).

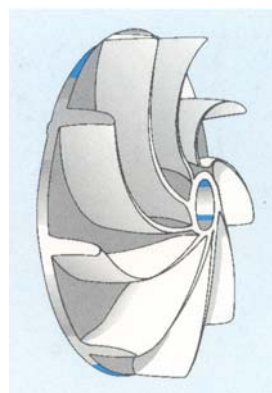
APPLICATIONS

- Liquids containing fibrous solids
- Pulp
- Factory waste
- Sewage
- Media with suspended particles



(Vortex Impeller not shown)

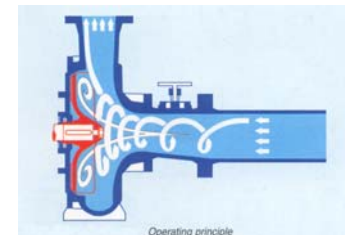
1. Flanged Casing.
2. Mechanical seal fitted on stainless steel shaft sleeve.
3. Back pull-out feature of this pump allows removal of the motor, support frame and impeller, without disturbing the suction and delivery pipe work or the casing.
4. Mechanical seal complies with the VDMA International Dimension Standard.
5. Open impeller.
6. Every casing is fitted with a replaceable wear ring.
7. Use of standard motors allows for easy replacement.



Wide range of hard faced mechanical seal options available.

Seal flush (API Plan 11 or 31) available on request.

Vortex open impellers allow for non-clog operation



Material Options

CODE	CASING	IMPELLER	STUB SHAFT	SHAFT SLEEVE	WEAR RING
3	Cast Iron	Cast Iron	Stainless Steel	Stainless Steel	Cast iron
4	316 St.St.	316 St.St.	316 St.St.	316 St.St.	316 St.St.
8	Cast Iron	316 St.St.	Stainless Steel	Stainless Steel	Cast Iron

Regent pumps

Regent Pumps Pty Ltd ABN 68 006 936 527
1-7 REDWOOD DRIVE DINGLEY VICTORIA 3172 AUSTRALIA
International Phone: +613 9551 5111 International Fax: +613 9551 7217