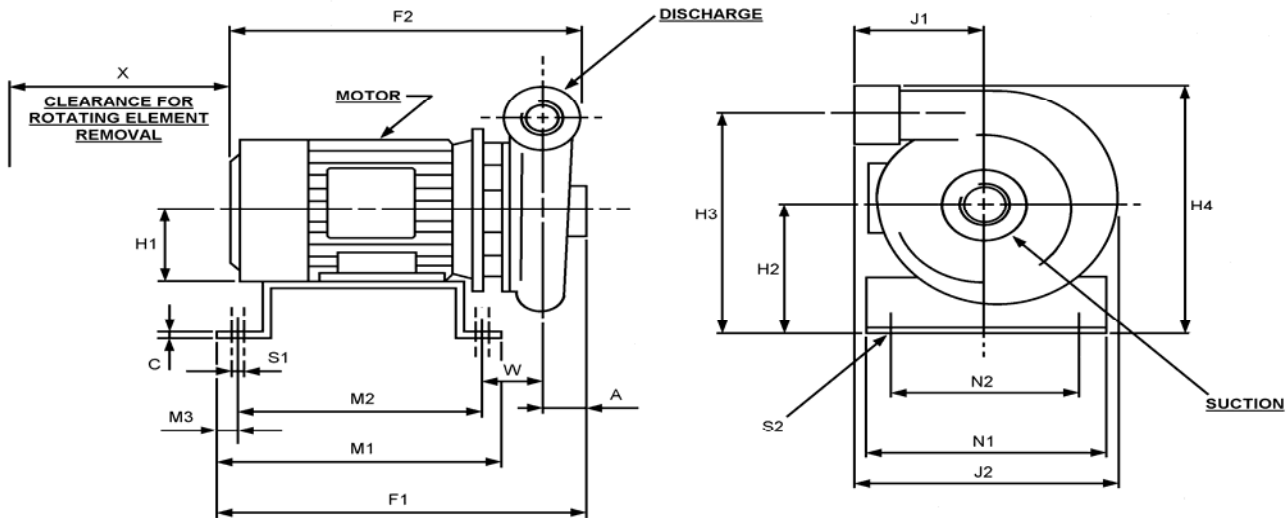
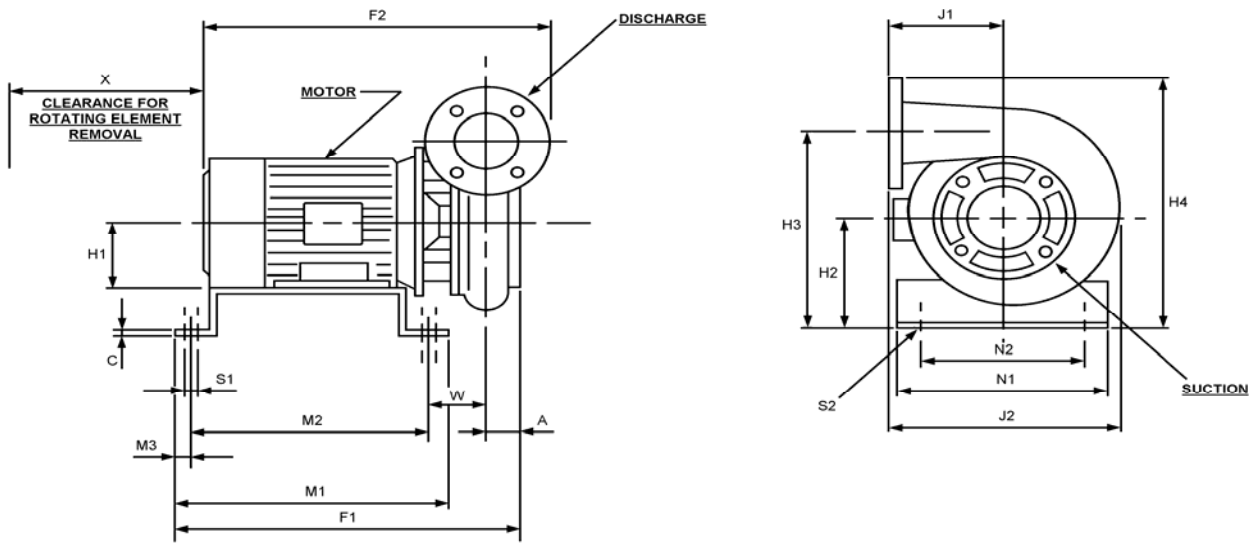


SCREWED MAJORFLOW DIMENSIONS (Dimensions may change due to availability of motors. Do not scale).



MODEL	MOTOR	A	C	F1	F2	H1	H2	H3	H4	J1	J2	M1	M2	M3	N1	N2	S1	S2	W	X	IN-LET	OUT-LET	KG
25-194	0.75-4P	64	5	425	343	80	160	285	310	150	287	303	243	26	194	154	12	M12	70	105	1 1/2" BSP	1" BSP	37
25-216	1.1 -4P				407	90	170	295	320										115				43
25-160	4.0 -2P			482	112	192	317	342	121			70											
25-184	5.5 -2P			581	536	132	212	337	362			150	96										
25-216	7.5 -2P				98																		
40-171	0.75-4P	61	5	425	323	80	160	276	310	135	264	303	243	26	194	154	12	M12	68	105	2" BSP	1 1/2" BSP	33
40-190	1.1 -4P				377	90	170	286	320										113				40
40-154	4.0 -2P			481	112	192	308	342	120			50											
40-171	5.5 -2P			576	535	132	212	328	362			149	74										
40-190	7.5 -2P				101																		
40-225	2.2 -4P	76	5	560	468	100	180	317	351	186	352	402	342	26	304	256	12	M12	120	105	2" BSP	1 1/2" BSP	73
40-254	3.0 -4P				75																		
50-152	0.75-4P	68	5	434	333	80	160	270	307	168	297	303	243	26	194	154	12	M12	73	160	2 1/2" BSP	2" BSP	35
50-171	1.1 -4P				387	90	170	280	317										118				42
50-190	1.5 -4P				412														45				
50-155	5.5 -2P			578	568	132	212	322	359			154	98										
50-175	7.5 -2P				402	342	304	256	180			102											
50-190	11.0-2P				646	160	240	350	387			123	140										
50-203	2.2 -4P	76	5	578	481	100	180	333	373	189	360	402	342	26	304	256	12	M12	123	105	2 1/2" BSP	2" BSP	65
50-229	3.0 -4P				130	68																	
50-254	4.0 -4P				500	112	192	345	385										82				

FLANGED MAJORFLOW DIMENSIONS (Dimensions may change due to availability of motors. Do not scale).



MODEL	MOTOR	A	C	F1	F2	H1	H2	H3	H4	J1	J2	M1	M2	M3	N1	N2	S1	S2	W	X	IN-LET	OUT-LET	KG						
65-142	5.5 -2P	43	5	577	625	132	212	340	424	162	330	402	342	26	304	256	12	M12	166	180	3"	2 1/2"	118						
65-152	7.5 -2P				663																		120						
65-161	10.0-2P			624	733	160	260	388	472														614	542	36	360	310	-6*	95
65-176	15.0-2P			668	777	38	187																						
65-190	18.5-2P			202																									
65-195	2.2 -4P	44	5	536	539	100	180	313	397	123	160	3"	2 1/2"	72															
65-210	3.0 -4P	46	5	541	544	100	180	323	415	128	205	4"	3"	74															
80-190	2.2 -4P	46	5	548	563	112	192	335	427	172	338	402	342	26	304	256	12	M12	135	205	4"	3"	80						
80-196	3.0 -4P				80																								
80-210	4.0 -4P			86																									
80-247	5.5 -4P	56	6	613	608	132	232	420	515	203	415	614	542	36	360	310	12	M12	-17*	160	4"	3"	120						
80-272	7.5 -4P				646																		134						
100-173	2.2 -4P	55	5	552	558	100	180	340	453	203	386	402	342	26	304	256	12	M12	128	205	4"	4"	78						
100-190	3.0 -4P				80																								
100-210	4.0 -4P			559	577	112	192	352	465														135	92					
100-209	5.5 -4P	59	6	622	623	132	223	421	531	229	447	614	542	36	360	310	12	M12	-8*	205	5"	4"	130						
100-230	7.5 -4P				661																		140						
100-256	11.0-4P			650	731	160	260	458	568														20	192					
100-272	15.0-4P			694	775	64	212																						
100-290	18.5-4P			688	794	180	280	478	588														58	246					

SUCTION/DISCHARGE

	2 1/2"	3"	4"	5"
FLANGE OD	165	185	215	255
PCD	127	146	178	210
HOLE SIZE X NUMBER (DISCHARGE ONLY)	M18 X 4	M18 X 4	M18 X 4	M18 X 8
HOLE SIZE X NUMBER (SUCTION ONLY)	5/8"bsw X 4	5/8"bsw X 4	5/8"bsw X 4	5/8"bsw X 8

* Center line of front mounting holes on pump base, sit out further than the center line of pump casing.