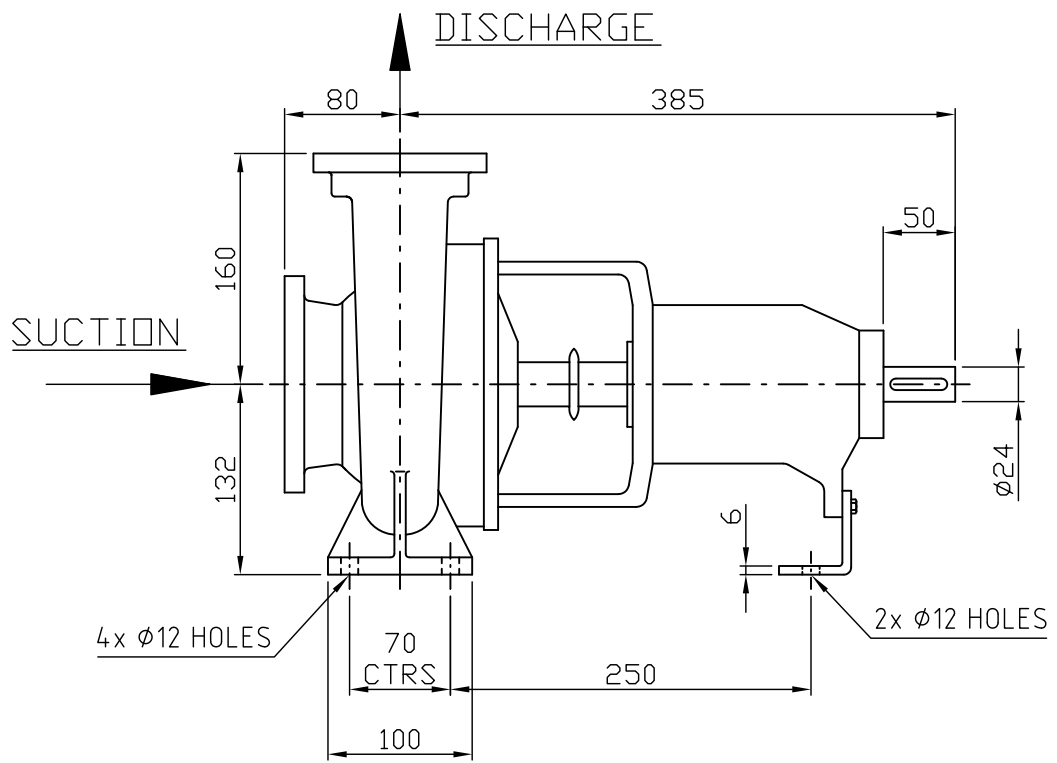
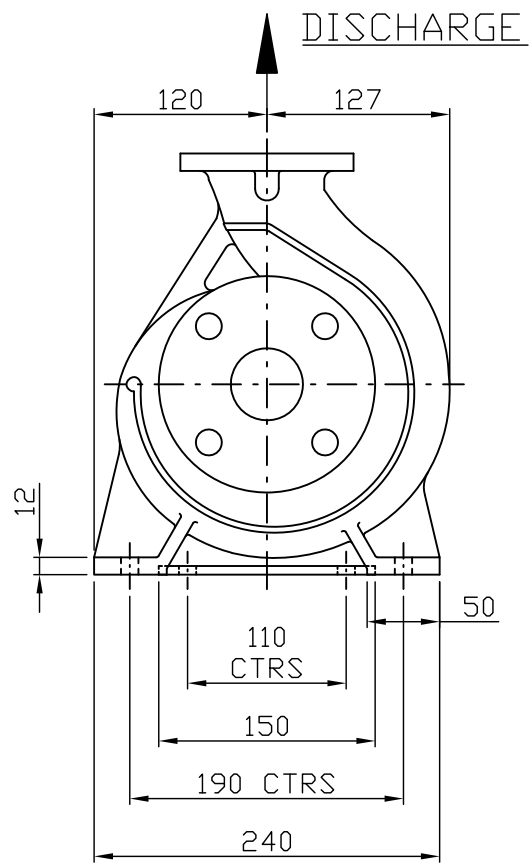


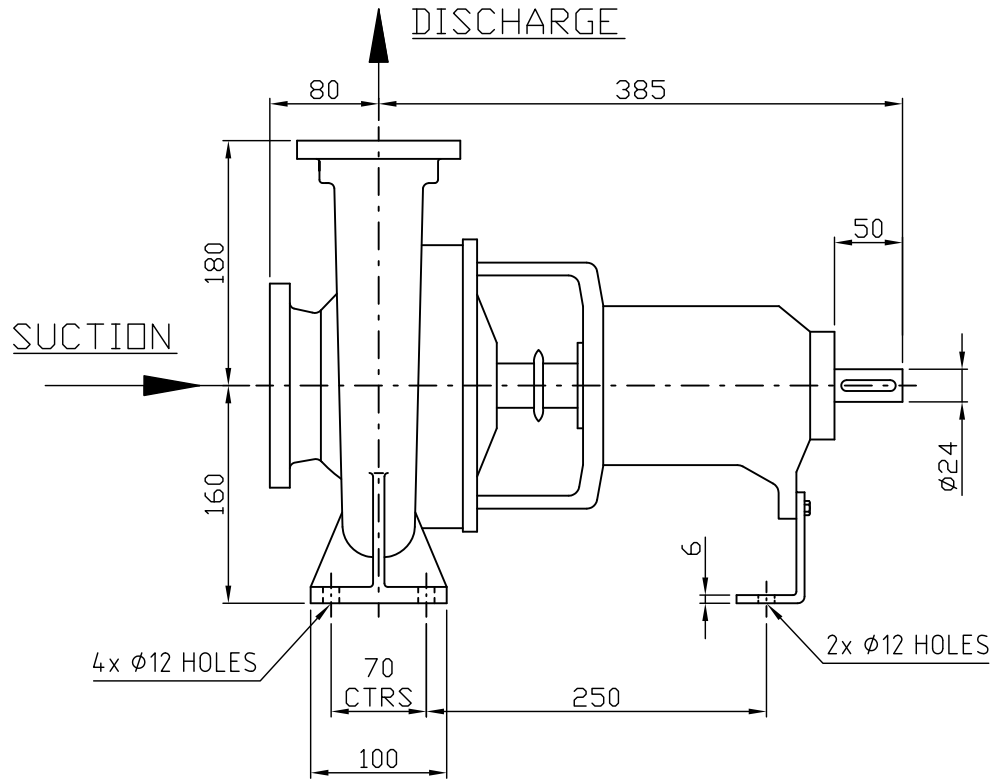
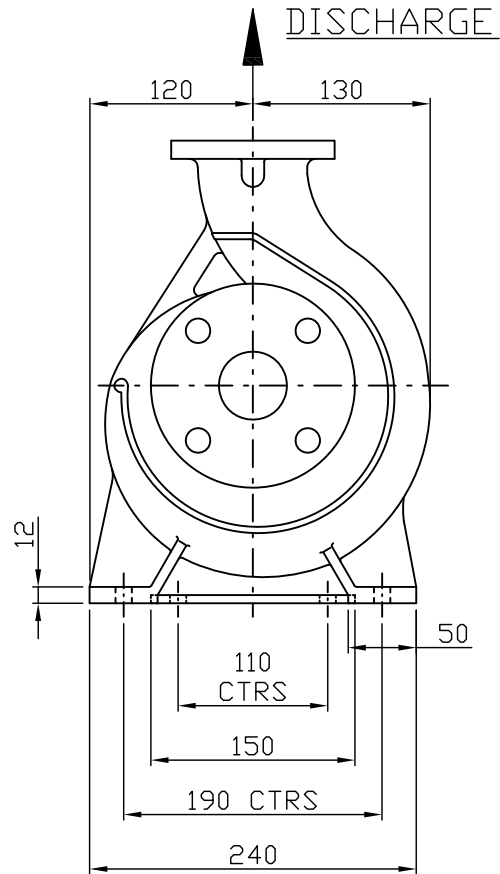
1		2		3		4		5		6		7		8							
PUMP		ELECTRIC MOTOR				<b>PRELIMINARY ONLY</b> DIMENSIONS IN MM NOT TO BE USED FOR CONSTRUCTION						RevNo		Revision note		Date		Signature		Checked	
MAKE: REGENT		MAKE: -		FRAME: -																	
MODEL: ISD		POWER: -		V/Ph/Hz: -																	
SIZE: 50x32-160		SPEED: -		ENCL/IP: -																	
OPTIONS:		OPTIONS:																			



FLANGE DRILLING: TABLE E	
SUCTION: 50 NB FLANGE	DISCHARGE: 32 NB FLANGE
<p>4-<math>\phi</math>18 HOLES OFF <math>\phi</math></p>	<p>4-<math>\phi</math>14 HOLES OFF <math>\phi</math></p>

CUSTOMER:	<b>GENERAL ARRANGEMENT DRAWING</b>				
PROJECT:	<b>50x32-160 BARESHAFT</b>				
EQUIPMENT/TAG No:	MASS: 40KG			SIZE	
SERIAL No.:	DRAWN: M.O			DRG:	5959
	CKD: P.M				A3
	DATE: 06.01.09				
	SCALE: N.T.S			FILE: 5959_G_A 50x32-160 BARESHAFT	VER:...

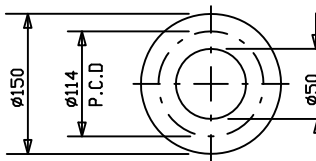
1		2		3		4		5		6		7		8				
PUMP		ELECTRIC MOTOR				<b>PRELIMINARY ONLY</b> DIMENSIONS IN MM NOT TO BE USED FOR CONSTRUCTION						RevNo		Revision note		Date	Signature	Checked
MAKE: REGENT		MAKE: -		FRAME: -														
MODEL: ISD		POWER: -		V/Ph/Hz: -														
SIZE: 50x32-200		SPEED: -		ENCL/IP: -														
OPTIONS:		OPTIONS:																



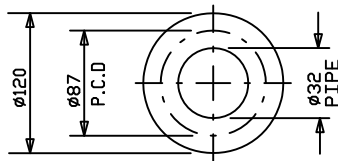
FLANGE DRILLING: TABLE E

SUCTION: 50 NB FLANGE

DISCHARGE: 32 NB FLANGE



4-Ø18 HOLES OFF C



4-Ø14 HOLES OFF C

CUSTOMER:

PROJECT:

EQUIPMENT/TAG No:

SERIAL No.:

**GENERAL ARRANGEMENT DRAWING**  
**50x32-200 BARESHAFT**

MATL:

MASS: 45KG

DRAWN: M.O DRG:

CKD: P.M

DATE: 06.01.09

SCALE: N.T.S

**Regent pumps**

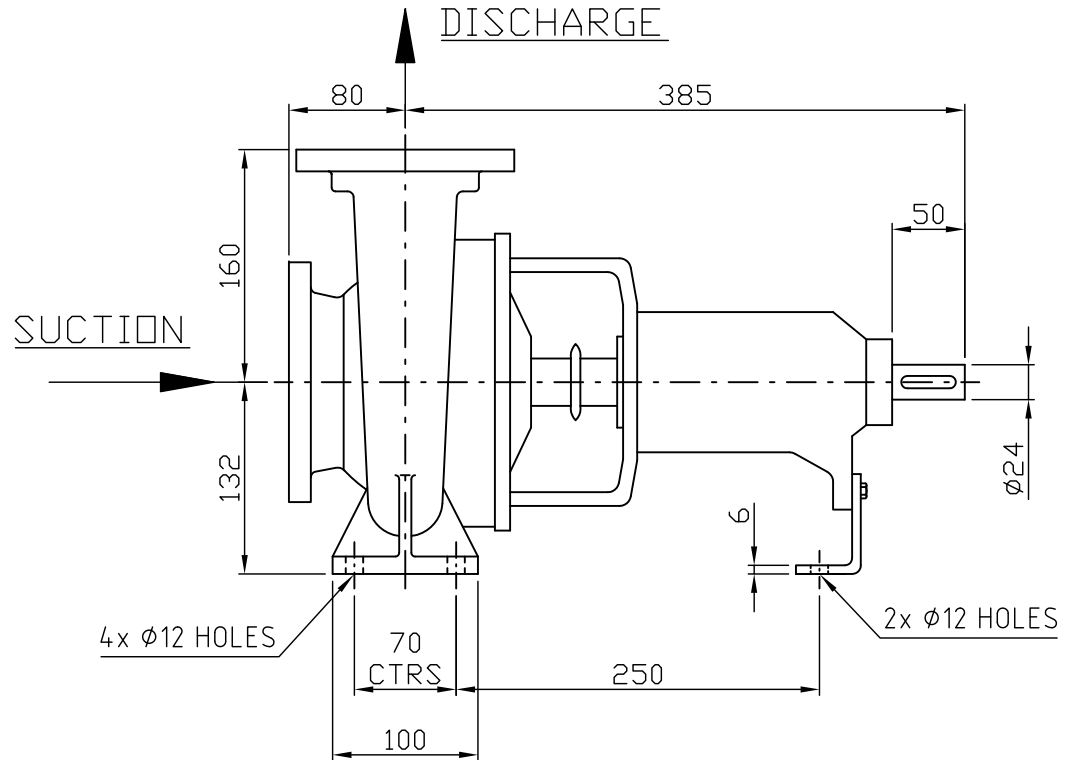
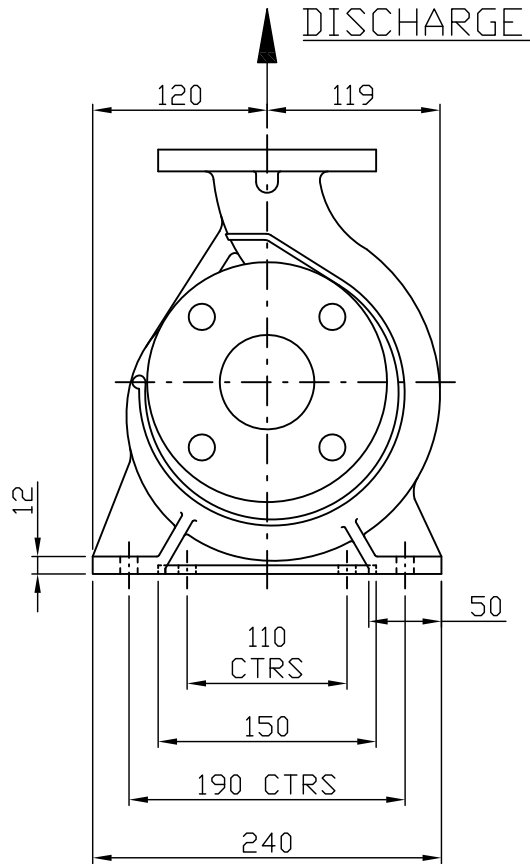
**5960 A3**

FILE: 5960\_G\_A 50x32-200 BARESHAFT VER:...

PUMP		ELECTRIC MOTOR	
MAKE: REGENT	MAKE: -	FRAME: -	
MODEL: ISD	POWER: -	V/Ph/Hz: -	
SIZE: 65X50-160	SPEED: -	ENCL/IP: -	
OPTIONS:	OPTIONS:		

**PRELIMINARY ONLY**  
 DIMENSIONS IN MM  
 NOT TO BE USED FOR CONSTRUCTION

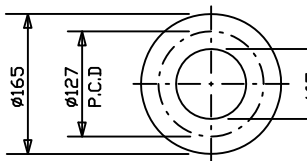
RevNo	Revision note	Date	Signature
-------	---------------	------	-----------



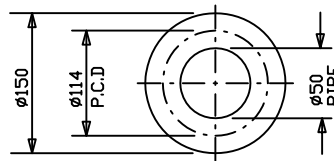
FLANGE DRILLING: TABLE E

SUCTION: 65 NB FLANGE

DISCHARGE: 50 NB FLANGE



4-18 HOLES OFF C



4-18 HOLES OFF C

CUSTOMER:	...
PROJECT:	...
EQUIPMENT/TAG No:	...
SERIAL No.:	...

**GENERAL ARRANGEMENT DRAWING**  
**65x50-160 BARESHAFT**

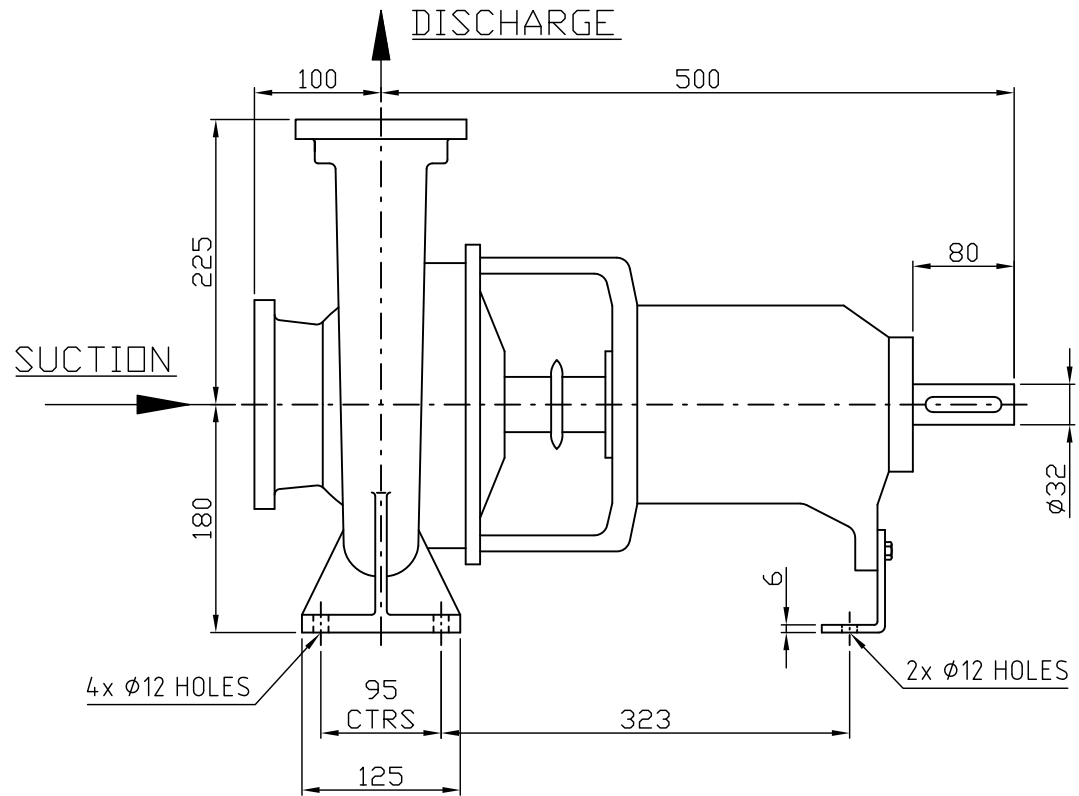
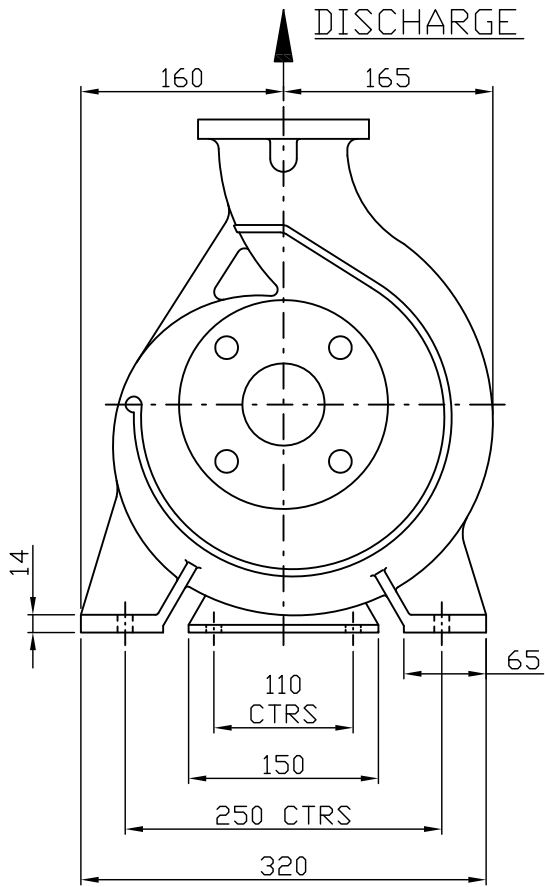
MATERIAL:	...			
MASS:	40KG			
DRAWN:	M.O		DRG:	
CHECKED:	P.M		5954	SIZE
DATE:	05.01.09		A3	
SCALE:	N.T.S	FILE: 5954_G_A 65x50-160 BARESHAFT	VER:...	



PUMP		ELECTRIC MOTOR	
MAKE: REGENT	MAKE: -	FRAME: -	
MODEL: ISO	POWER: -	V/Ph/Hz: -	
SIZE: 65x40-250	SPEED: -	ENCL/IP: -	
OPTIONS:	OPTIONS:		

**PRELIMINARY ONLY**  
 DIMENSIONS IN MM  
 NOT TO BE USED FOR CONSTRUCTION

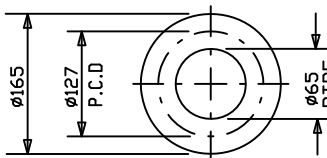
RevNo	Revision note	Date	Signature
-------	---------------	------	-----------



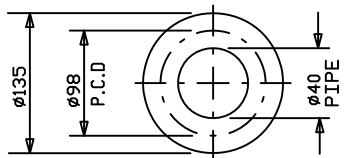
**FLANGE DRILLING: TABLE E**

**SUCTION:** 65 NB FLANGE

**DISCHARGE:** 40 NB FLANGE



4-Ø18 HOLES OFF  $\phi$



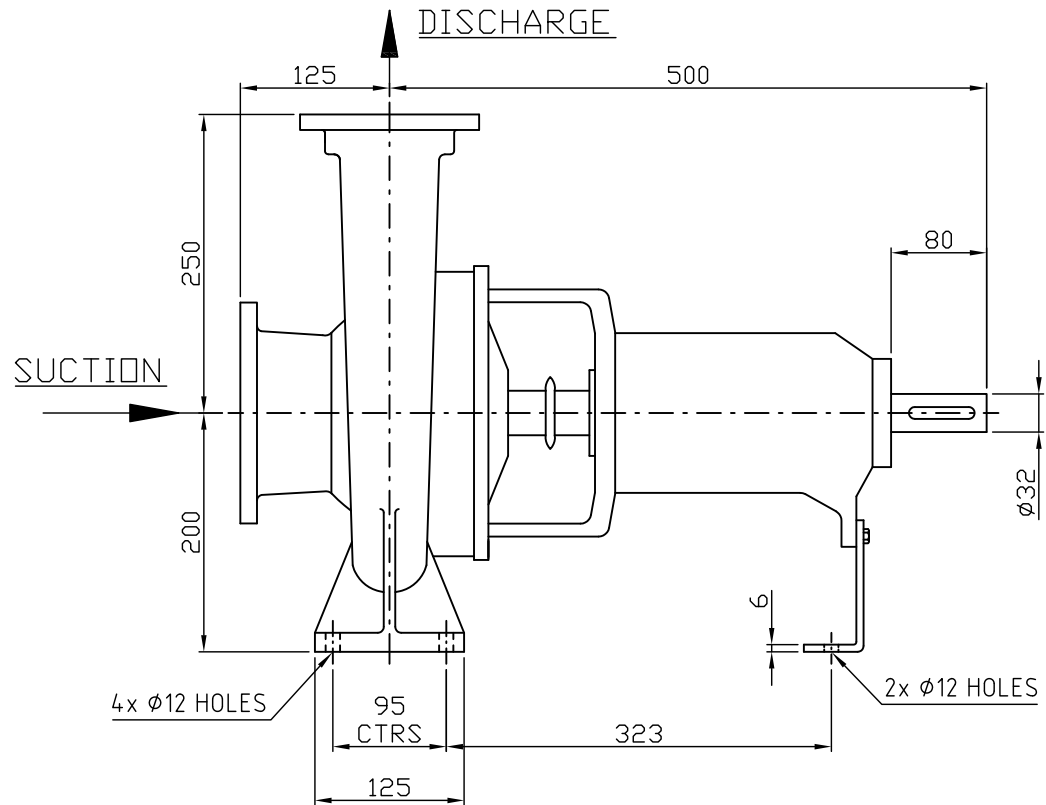
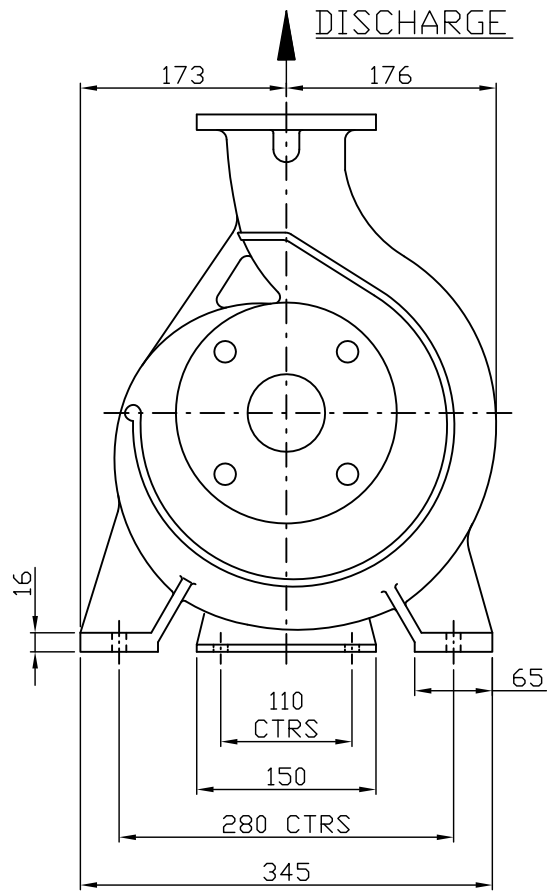
4-Ø14 HOLES OFF  $\phi$

CUSTOMER:	...
PROJECT:	...
EQUIPMENT/TAG No:	...
SERIAL No.:	...

**GENERAL ARRANGEMENT DRAWING**  
**65x40-250 BARESHAFT**

MATL:	...	<b>Regent pumps</b>	
MASS:	70KG		
DRAWN:	M.O	DRG:	
CKD:	P.M		SIZE
DATE:	06.01.09		<b>5957</b> <b>A3</b>
SCALE:	N.T.S	FILE:	5957_G_A_65x40-250_BARESHAFT
		VER:...	

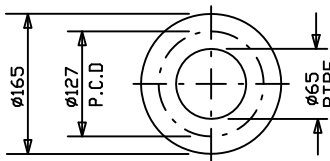
1		2		3		4		5		6		7		8							
PUMP		ELECTRIC MOTOR				<b>PRELIMINARY ONLY</b> DIMENSIONS IN MM NOT TO BE USED FOR CONSTRUCTION						RevNo		Revision note		Date		Signature		Checked	
MAKE: REGENT		MAKE: -		FRAME: -																	
MODEL: ISD		POWER: -		V/Ph/Hz: -																	
SIZE: 65X40-315		SPEED: -		ENCL/IP: -																	
OPTIONS:		OPTIONS:																			



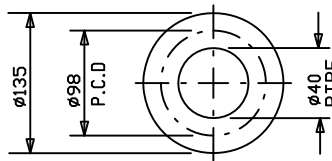
FLANGE DRILLING: TABLE E

SUCTION: 65 NB FLANGE

DISCHARGE: 40 NB FLANGE



4-Ø18 HOLES OFF  $\varnothing$



4-Ø14 HOLES OFF  $\varnothing$

CUSTOMER:

PROJECT:

EQUIPMENT/TAG No:

SERIAL No.:

**GENERAL ARRANGEMENT DRAWING**  
**65x40-315 BARESHAFT**

MATL: ...

MASS: 80KG

DRAWN: M.O

CKD: P.M

DATE: 06.01.09

SCALE: N.T.S

**Regent pumps**

DRG:

FILE: 5958\_G\_A 65x40-315 BARESHAFT

SIZE

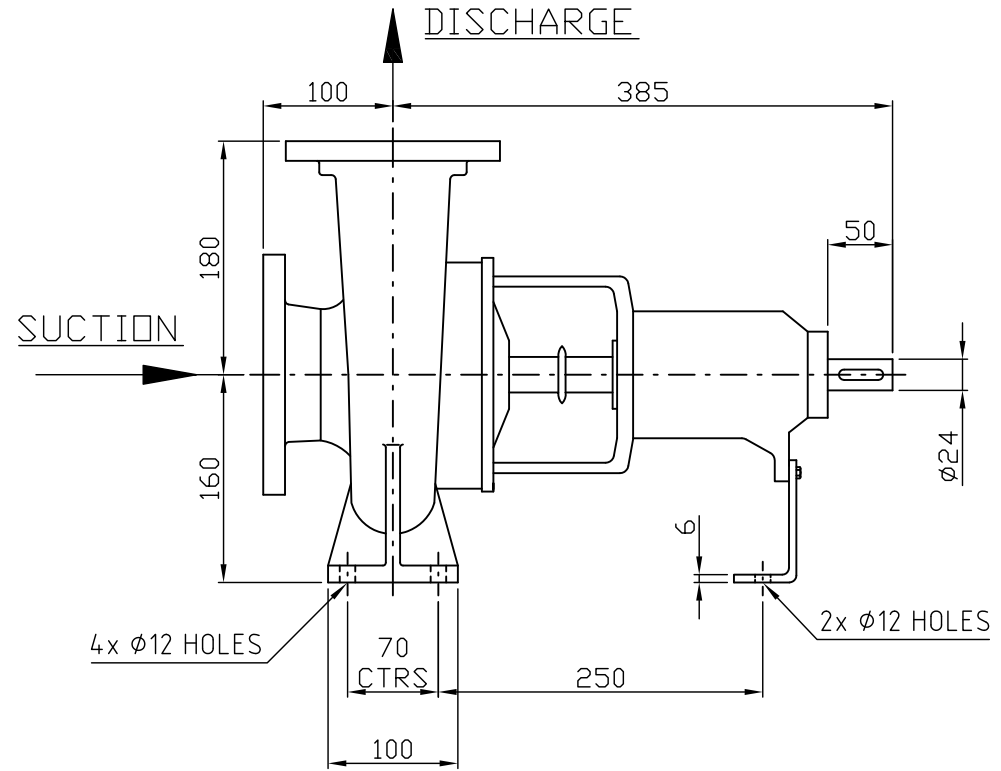
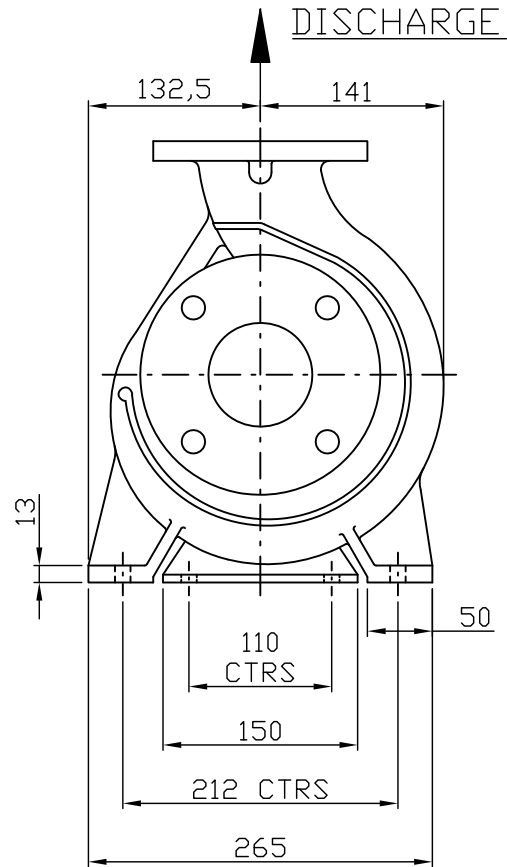
**5958 A3**

VER: ...

PUMP		ELECTRIC MOTOR	
MAKE:	REGENT	MAKE:	-
MODEL:	ISD	POWER:	-
SIZE:	80X65-160	SPEED:	-
OPTIONS:		FRAME:	-
		V/Ph/Hz:	-
		ENCL/IP:	-
		OPTIONS:	

**PRELIMINARY ONLY**  
 DIMENSIONS IN MM  
 NOT TO BE USED FOR CONSTRUCTION

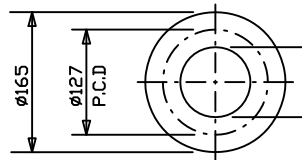
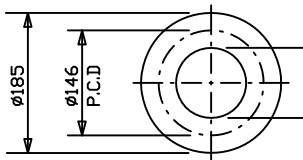
RevNo	Revision note	Date	Signature



FLANGE DRILLING: TABLE E

SUCTION: 80 NB FLANGE

DISCHARGE: 65 NB FLANGE



CUSTOMER:	...
PROJECT:	...
EQUIPMENT/TAG No:	...
SERIAL No.:	...

**GENERAL ARRANGEMENT DRAWING**  
**80x65-160 BARESHAFT**

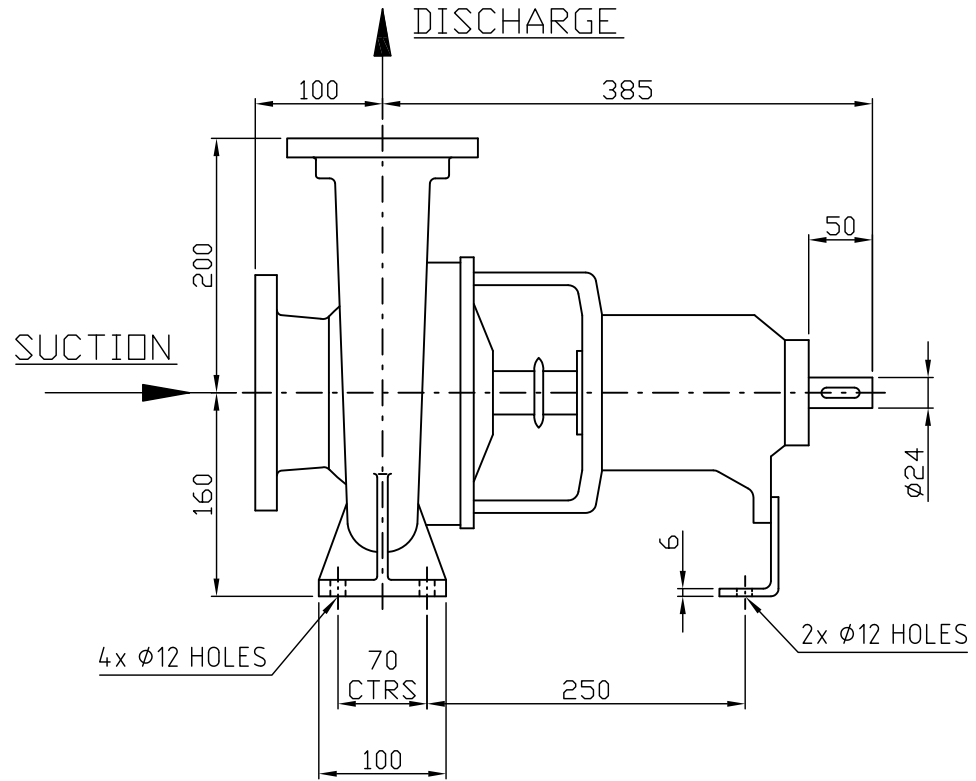
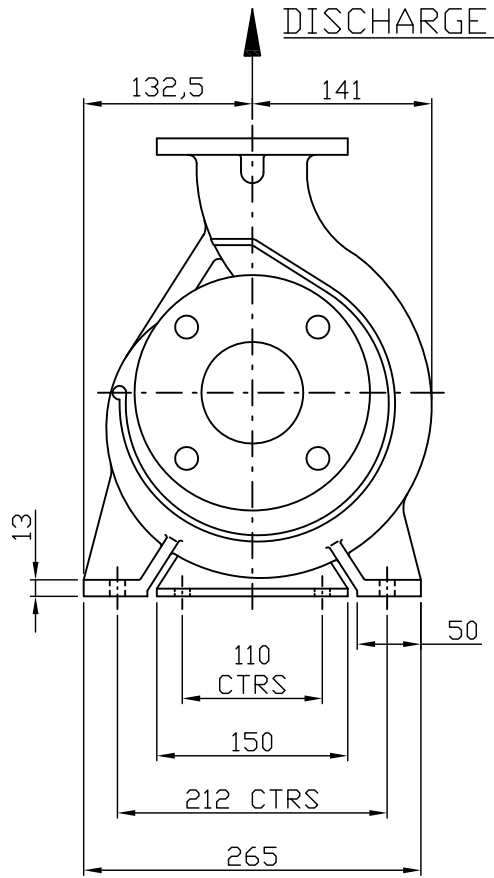
MATL:	...	
MASS:	46KG	
DRAWN:	M.O	
CHECKED:	P.M	
DATE:	23.12.08	
SCALE:	N.T.S	FILE: 5949_G_A 80x65-160 BARESHAFT

**5949 A3**

PUMP		ELECTRIC MOTOR	
MAKE: REGENT	MAKE: -	FRAME: -	
MODEL: ISD	POWER: -	V/Ph/Hz: -	
SIZE: 80x50-200	SPEED: -	ENCL/IP: -	
OPTIONS:	OPTIONS:		

**PRELIMINARY ONLY**  
 DIMENSIONS IN MM  
 NOT TO BE USED FOR CONSTRUCTION

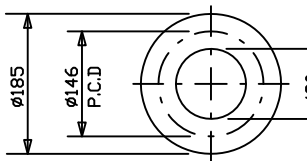
RevNo	Revision note	Date	Signature
-------	---------------	------	-----------



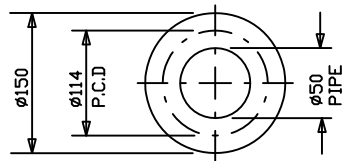
FLANGE DRILLING: TABLE E

SUCTION: 80 NB FLANGE

DISCHARGE: 50 NB FLANGE



4-Ø18 HOLES OFF  $\varnothing$



4-Ø18 HOLES OFF  $\varnothing$

CUSTOMER:

PROJECT:

EQUIPMENT/TAG No:

SERIAL No.:

**GENERAL ARRANGEMENT DRAWING**  
**80x50-200 BARESHAFT**

MATL: ...

MASS: 50KG

DRAWN: M.O DRG:

CKD: P.M

DATE: 05.01.09

SCALE: N.T.S

**Regent pumps**

**5951 A3**

FILE: 5951\_G\_A 80x50-200 BARESHAFT VER:...

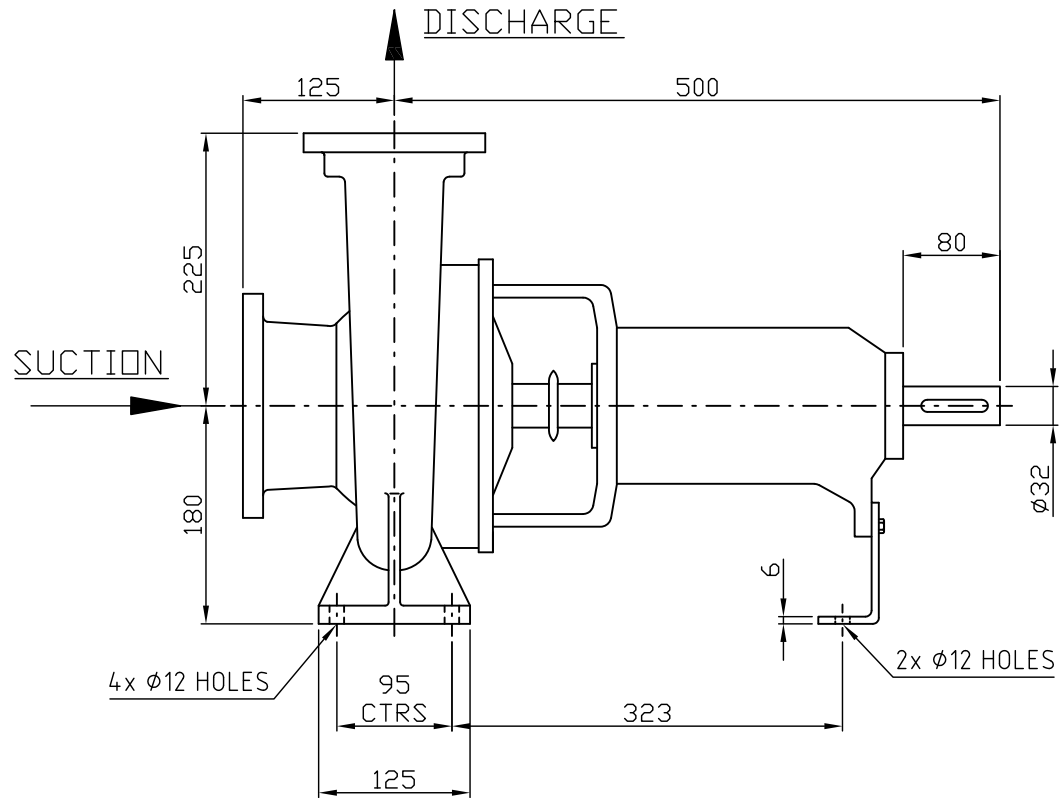
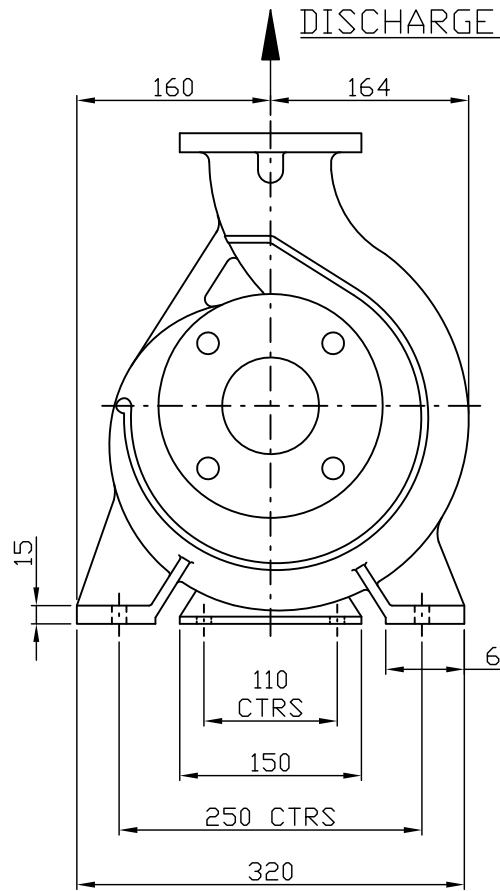
V:\ENG\G\_A\ISO\80x50-200\BARESHAFT\



PUMP		ELECTRIC MOTOR	
MAKE:	REGENT	MAKE:	-
MODEL:	ISD	FRAME:	-
SIZE:	80X50-250	V/Ph/Hz:	-
OPTIONS:		ENCL/IP:	-
OPTIONS:		OPTIONS:	

**PRELIMINARY ONLY**  
 DIMENSIONS IN MM  
 NOT TO BE USED FOR CONSTRUCTION

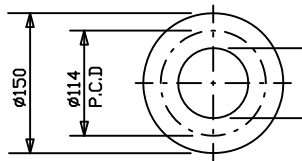
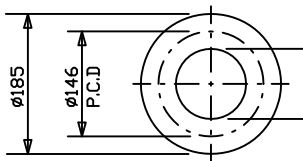
RevNo	Revision note	Date	Signature
-------	---------------	------	-----------



**FLANGE DRILLING: TABLE E**

**SUCTION:** 80 NB FLANGE

**DISCHARGE:** 50 NB FLANGE



4-Ø18 HOLES OFF C

4-Ø18 HOLES OFF C

CUSTOMER:	...
PROJECT:	...
EQUIPMENT/TAG No:	...
SERIAL No.:	...

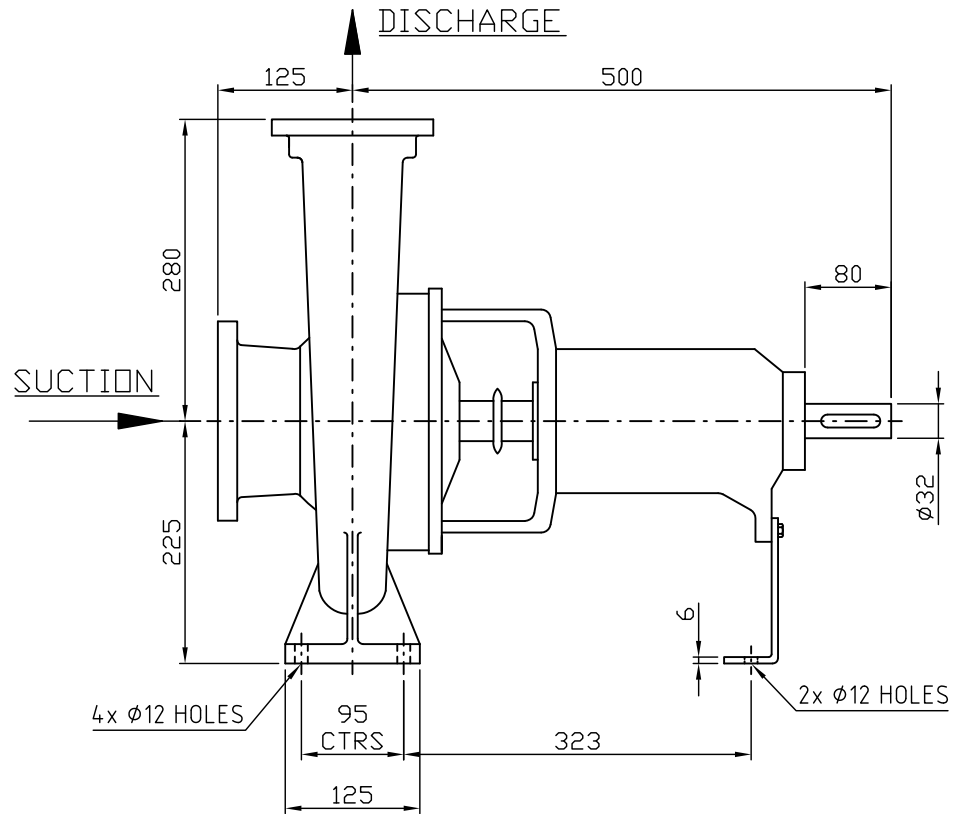
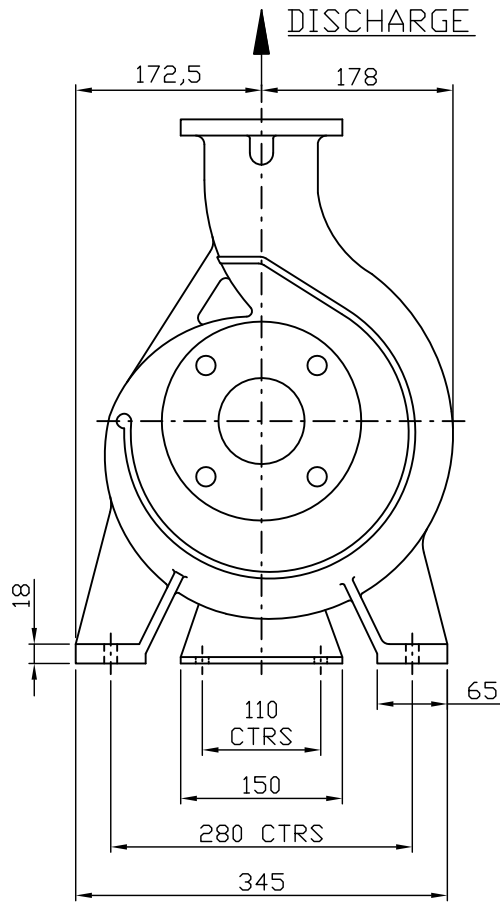
**GENERAL ARRANGEMENT DRAWING**  
**80x50-250 BARESHAFT**

MATL:	...		
MASS:	70KG		
DRAWN:	M.O	DRG:	
CHECKED:	P.M	5952	SIZE
DATE:	05.01.09	A3	
SCALE:	N.T.S	FILE:	5952_G_A 80x50-250 BARESHAFT
		VER:	...

PUMP		ELECTRIC MOTOR	
MAKE: REGENT	MAKE: -	FRAME: -	
MODEL: ISD	POWER: -	V/Ph/Hz: -	
SIZE: 80X50-315	SPEED: -	ENCL/IP: -	
OPTIONS:	OPTIONS:		

**PRELIMINARY ONLY**  
 DIMENSIONS IN MM  
 NOT TO BE USED FOR CONSTRUCTION

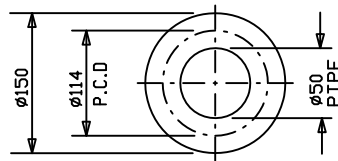
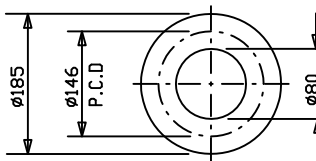
RevNo	Revision note	Date	Signature
-------	---------------	------	-----------



FLANGE DRILLING: TABLE E

SUCTION: 80 NB FLANGE

DISCHARGE: 50 NB FLANGE



CUSTOMER:	...
PROJECT:	...
EQUIPMENT/TAG No:	...
SERIAL No.:	...

**GENERAL ARRANGEMENT DRAWING**  
**80x50-315 BARESHAFT**

MATL:	...		
MASS:	85KG		
DRAWN:	M.O	DRG:	SIZE
CHECKED:	P.M		5953 A3
DATE:	05.01.09		
SCALE:	N.T.S	FILE:	5953_G_A 80x50-315 BARESHAFT VER:...