

# Bare shaft Pumps

## Shaft Sealing

The Regent Isoflow pump is normally fitted with a mechanical seal having Carbon vs. Ceramic faces and Buna N elastomers. Special seals such as Silicon Carbide faces and/or Viton elastomers are readily available. If necessary the Regent Isoflow pump can be fitted with a packed gland and shaft sleeve.

## Pumpsets

Regent Isoflow pumps can be supplied complete with motor or engine drive, either close coupled or long coupled and base mounted.

## Bearings

Heavy duty sealed for life bearings with inboard bearing larger than the drive end bearing which gives greater bearing life and low shaft stresses.

## Stainless Steel Shaft

Heavy duty stainless steel shaft is designed for minimum deflection and longer life.

## Bearing Caps

Both bearings are fitted with bearing caps which include lip seals to further protect the bearings for longer life.

## Water Slinger

for extra bearing protection.

## Strong Support Foot

at drive end gives greater rigidity.

## Taper Mounted Impeller

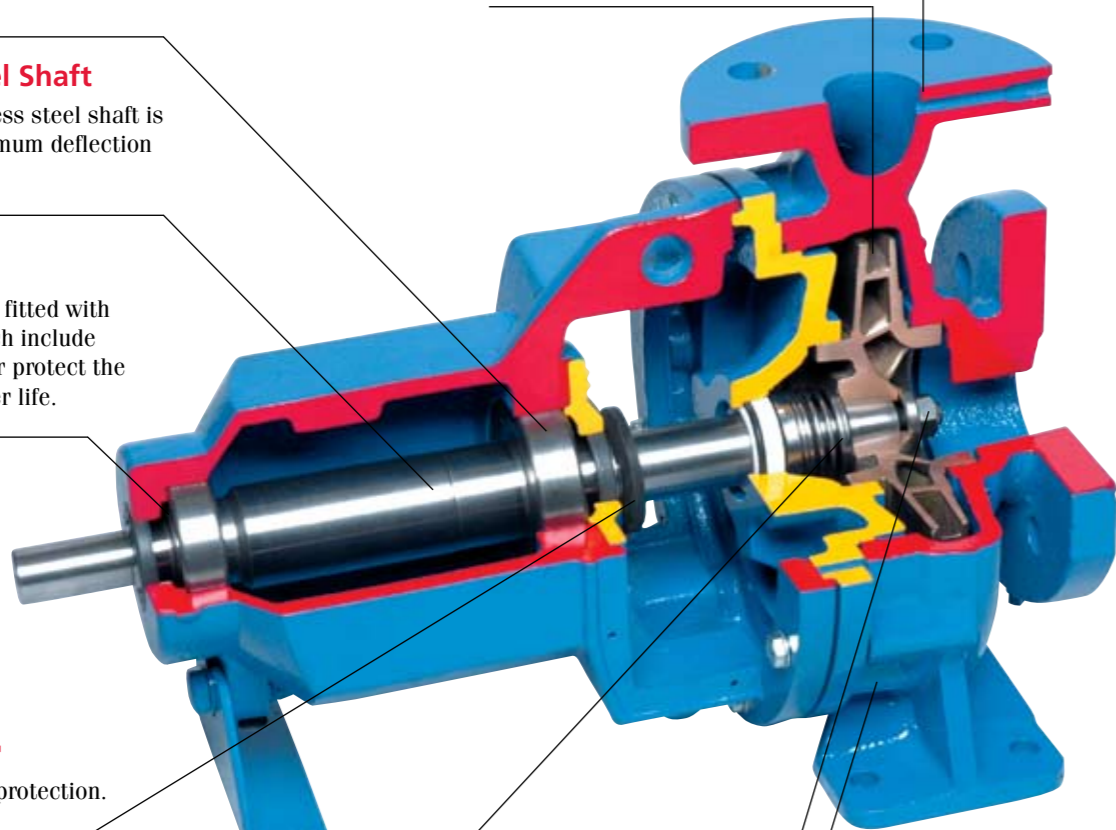
is also keyed to the shaft which gives a positive locked drive which ensures resistance to shaft breakage. This is particularly important for regular stopping and starting and diesel driven pumps.

## Double Shrouded Impeller

Double shrouded and balanced impeller of superior hydraulic design gives high efficiency and low running cost.

## Gauge Tappings

are standard on both suction and discharge flanges.



## 'O' Ring Seal

between casing and back cover.

## Rugged Casing

in grade T260 which is standard for all sizes and has a casing burst pressure which is twice the 16 bar required as a working pressure under the ISO 2858 standard.

## Enclosed Impeller Nut

to protect shaft thread.

Available From:

Regent Pumps:

ABN: 68 006 936 527

1-7 Redwood Dve, Dingley Victoria 3172 Australia

Phone: (03) 9551 5111 Fax: (03) 9551 7217

Int. Ph: (613) 9551 5111 Int. Fax: (613) 9551 7217

[www.regentpumps.com.au](http://www.regentpumps.com.au)

All specifications are subject to change without notice.

# Regent pumps



# Bare Shaft ISO centrifugal Pumps

I S O f l o w

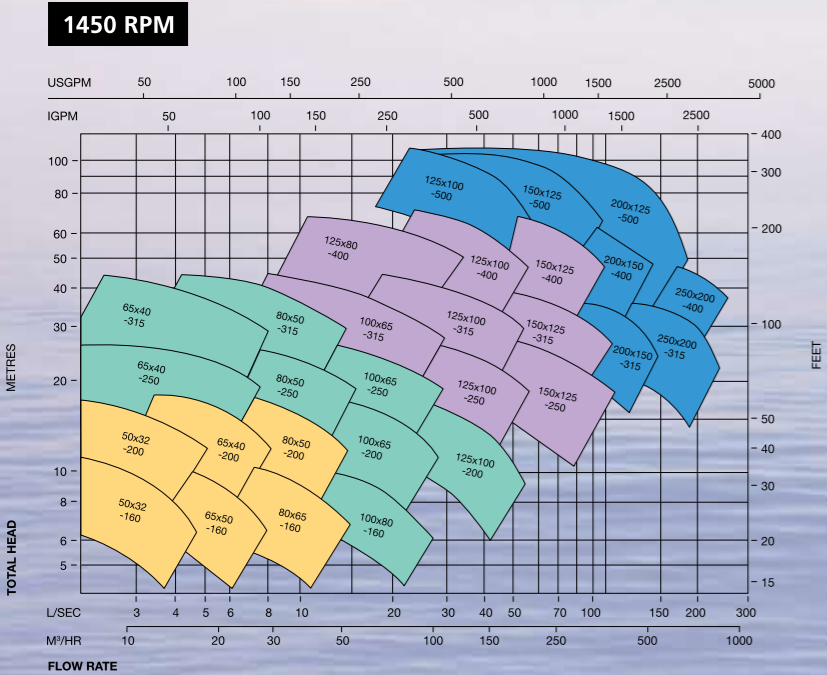
# Bare shaft Pumps

	Materials of Construction			
	Bronze Fitted		Cast Iron	
	Mechanical Seal	Packing	Mechanical Seal	Packing
Casing	Cast Iron	Cast Iron	Cast Iron	Cast Iron
Impeller	Bronze	Bronze	Cast Iron	Cast Iron
Shaft	Stainless Steel	Stainless Steel	Stainless Steel	Stainless Steel
Shaft Sleeve	Not Fitted	Stainless Steel	Not Fitted	Stainless Steel
Lantern Ring	Not Fitted	Cast Iron	Not Fitted	Cast Iron
Gland	Not Fitted	Cast Iron	Not Fitted	Cast Iron

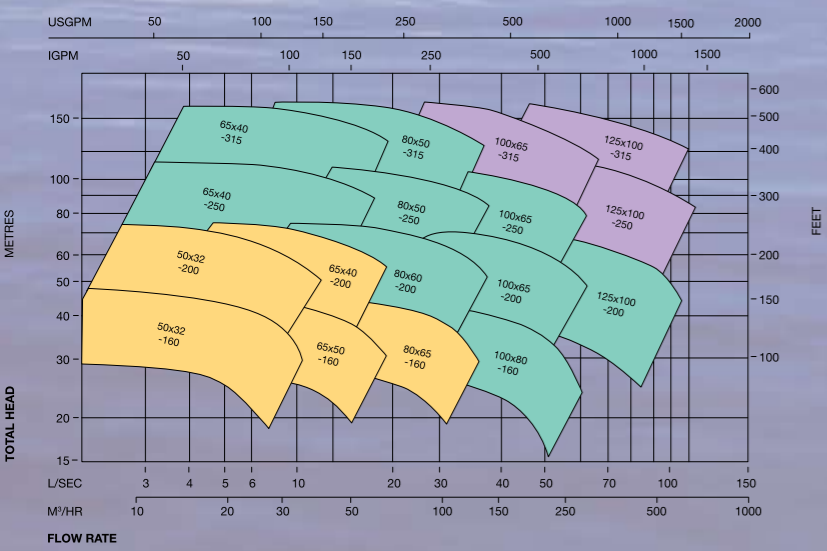
Material	Component	Australian Standard	Nearest Equivalent Standard		
			British	American	German
Cast Iron	Casing Impeller Back Cover Bearing Housing Bearing Cap Gland	AS 1830/T260	BS 1452 GR 260	ASTM A48 CLASS 40B	DIN 1691 GC 26
	Lantern Ring	A1830/T150	BS1452 GR150	ASTM A48 Class 20B	DIN 1691 GG15
Bronze	Impeller	AS 2738.3 Grade C83600	BS 1400 LG2	ASTM C83600	2.1096.03 G-CuSn5 Zn Pb
Stainless Steel	Shaft	AS2837/416	BS970.416	AISI-416	1.4006 G-X10 Cr1 3
	Shaft Sleeve	AS2837/316	BS970.316	AISI-316	1.4401 X5Cr Ni Mo 18.10

Material Specification

Isoflow Range Chart - 50 Hz



2900 RPM



## High Efficiency

Excellent hydraulic design coupled with quality manufacturing methods give the Regent Isoflow high efficiencies which gives reduced running costs across the whole range of flows.

## Robust Heavy Duty

With sturdy support feet on the casing, rigid high strength bearing housing, strong support foot at drive end, heavy duty shaft, flat faced flanged suction and discharge flanges and high casing working pressure, the Regent Isoflow is designed to be strong and durable.

## High Suction Characteristics

Advanced technology achieves improved suction performance and allows higher pump speeds.

## Easily Serviced

Features such as back pull out of entire rotating element, easy impeller removal due to taper mounting, reusable 'O' ring sealing between casing and back cover, separate back cover and easy access to seal and gland area make the Regent Isoflow very easy to service.

## Complies with ISO 2858

The Regent Isoflow complies fully with ISO Standard 2858, and is therefore dimensionally interchangeable with all pumps conforming to this standard.

Flange dimensions are to AS 2129 – 1982, Table E.

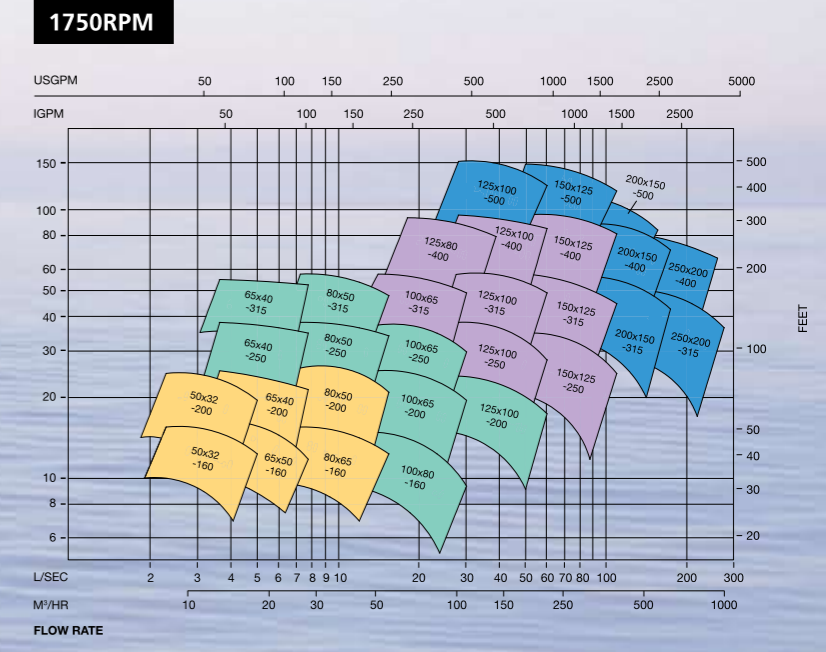
## Features:

- \* High Efficiency
- \* Low Running Costs
- \* High Strength
- \* Long Life
- \* High Suction Characteristics
- \* Complies with ISO 2858

## Applications:

- \* Air Conditioning
- \* Water Pressure Boosting
- \* Heating and Ventilation
- \* Fire Protection
- \* Refrigeration
- \* Circulating
- \* Transfer
- \* Water Treatment and Supply
- \* Irrigation
- \* Drainage
- \* Food and Drink Manufacture
- \* Petroleum Products
- \* Factory Pumping
- \* Process Industry
- \* General Industry

Isoflow Range Chart - 60 Hz



3500 RPM

