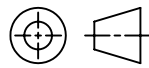
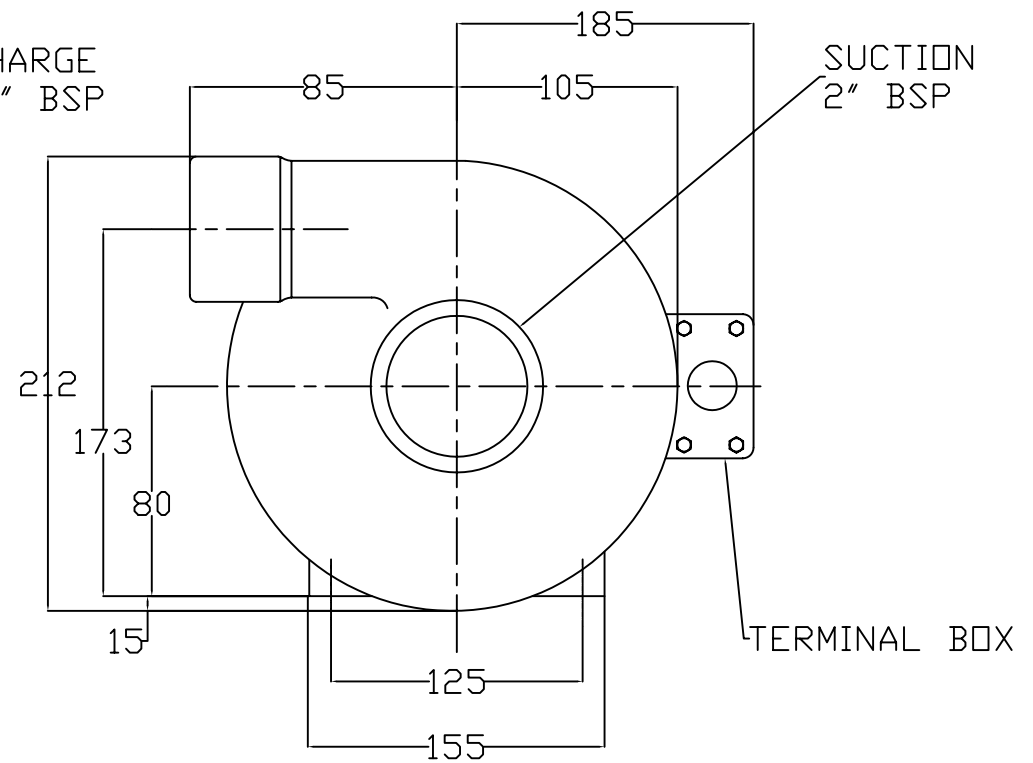
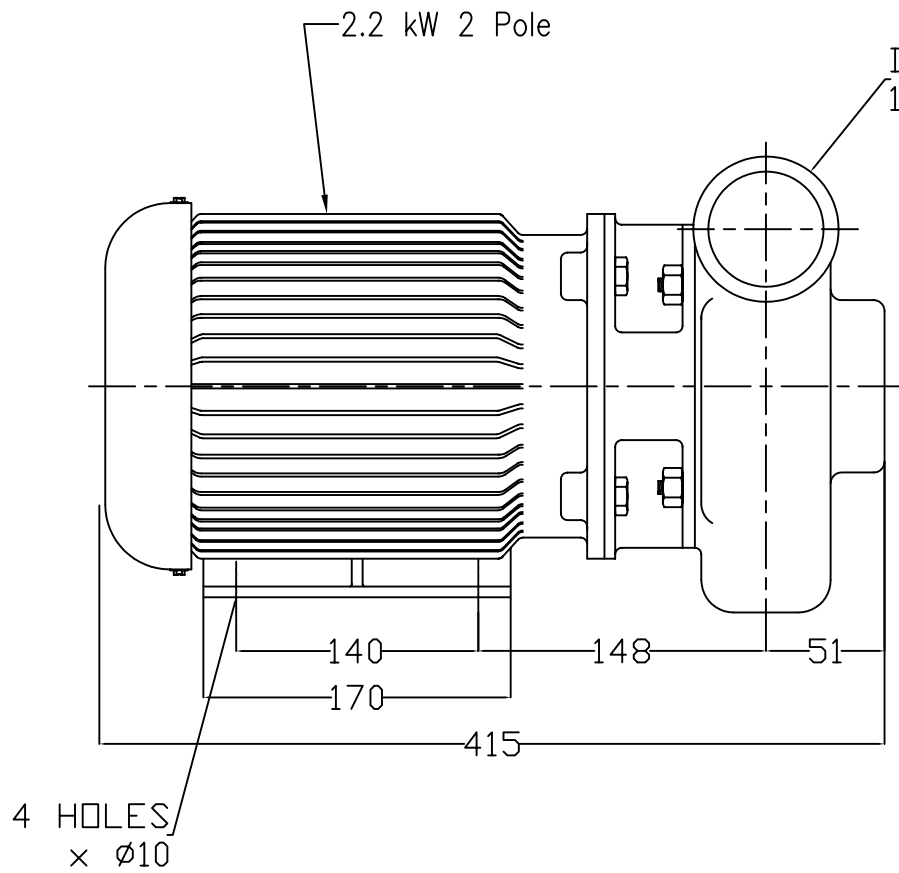


DO NOT SCALE  
REMOVE ALL SHARP EDGES



REV	DETAILS	INITIALS	DATE

NOT TO BE USED FOR CONSTRUCTION



ITEM	DETAILS	TOLERANCES (UNLESS OTHERWISE SPECIFIED)	TITLE	SUPPLIER	QTY
	UNLESS OTHERWISE STATED ALL DIMENSIONS IN MILLIMETRES DO NOT SCALE DRAWING THIRD ANGLE PROJECTION	LINEAR X ± 0.5 X.X ± 0.05	ANGULAR X ± 0.5°	<b>GENERAL ARRANGEMENT Superflow</b>	
			MODEL <b>40-112/23-T2</b>	DRAWING NO	
			SCALE N.T.S.	SHEET <b>1 OF 1</b>	SHEET SIZE <b>A3</b>
			DATE 22-07-2002		